

MiniGran Lab Granulator

COMPACT & IDEAL FOR
LABORATORY APPLICATIONS



Description

The Dynisco MiniGran Lab Granulator is designed for the granulation of small sprues. With its very compact dimensions, this granulator can be accommodated almost anywhere and therefore is very suitable for laboratory applications. The granulator is suitable for all kind of plastic materials, due to the low rotor speed the plastic materials are processed to high-quality, low-dust regrind.

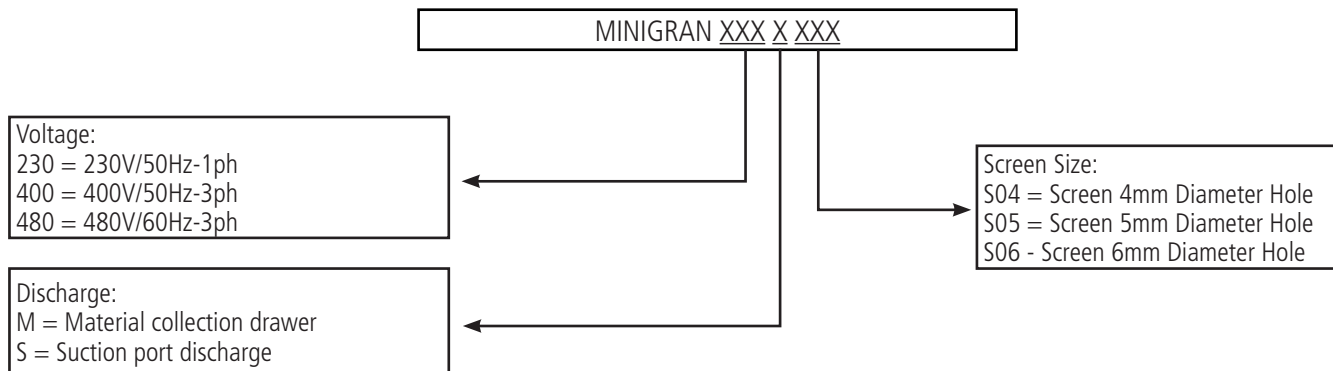
The cutting chamber of the MiniGran, including rotor and screen, are made of stainless steel, to fulfill high purity standards for regrind. In addition, the cutting chamber is hermetically sealed to prevent the regrind from being contaminated by incoming air or dust when extracted by suction. It is therefore possible to use this granulator under clean room conditions. The granulating chamber can be opened quickly and simply and can be cleaned rapidly, facilitating quick changes in materials or color. The optimized cutting geometry with a cascaded rotor in chevron design guarantees a very effective granulating process and also reduces the energy consumption.

Features

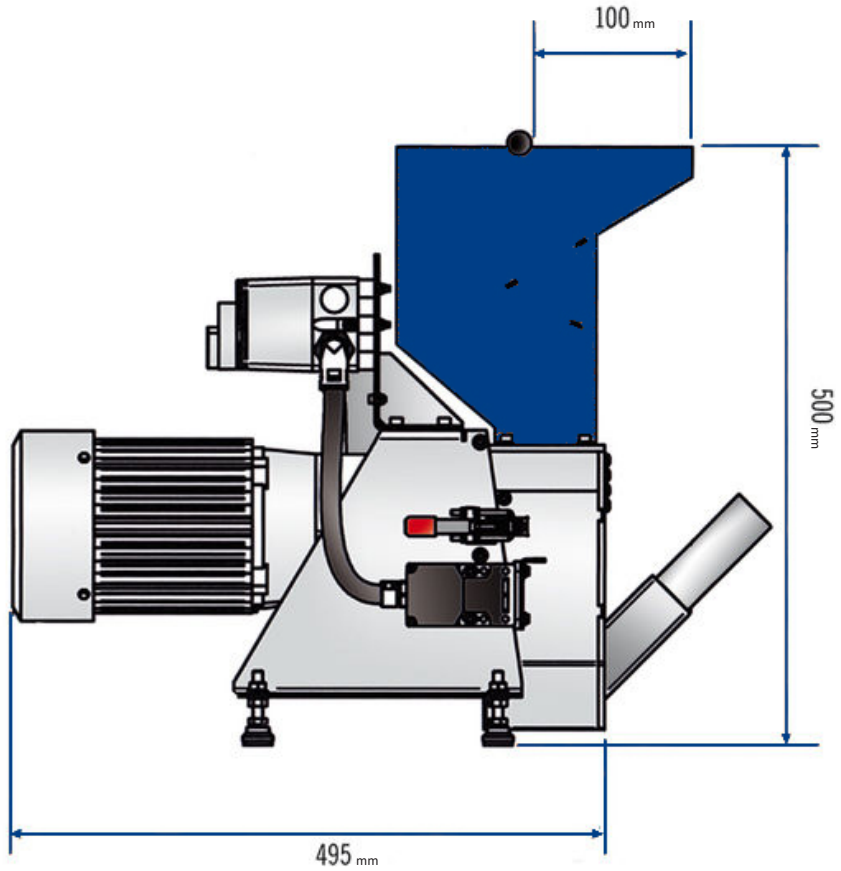
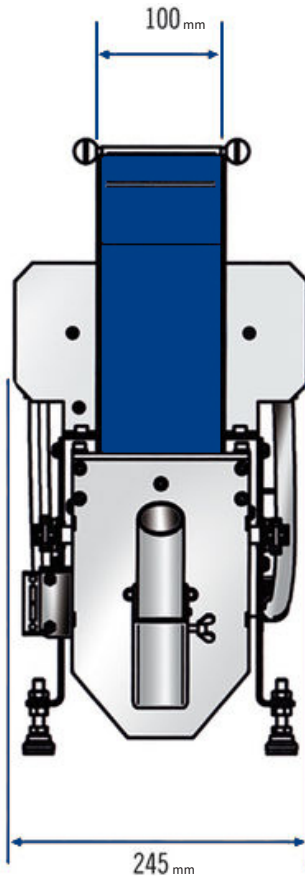
- Low speed rotor and optimized scissors cut for a high-quality regrind
- Compact dimensions/ small footprint
- Cutting chamber can quickly be opened for easy cleaning
- Low energy consumption
- Chevron-type cutting blades provide high quality and low dust regrind
- Feeding hopper made from sandwich sheet for low noise generation
- Material collecting drawer or suction port discharge

Technical Data	
Cutting chamber opening:	80 mm x 100 mm
Rotor diameter:	90 mm
Rotor speed:	112 U/min
Rotor knives:	9 pcs.
Stator knives:	2 pcs.
Motor power:	0,75 kW
Power supply:	230, 400, or 480 V / 50 Hz
Screen size:	3-5 mm
Screen:	With 4 mm holes as standard, alter. 3 and 5 mm holes (specify upon order)
Weight:	Approximately 40 kg

Ordering Guide for MiniGran Lab Granulator



Dimensions



All dimensions are inches (mm) unless otherwise specified.
 ©2016. Dynisco reserves the right to make changes without notice.
 Refer to www.dynisco.com for access to Operator Manual and other support documentation.
 DSMINIGRAN
 Rev: 1216



www.dynisco.com



Dynisco
 38 Forge Parkway
 Franklin, MA 02038
 USA

Hotline 1-800-Dynisco
www.dynisco.com
 Phone +1 508 541 9400
 Fax +1 508 541 6206
 Email infoinst@dynisco.com

Dynisco Europe, GmbH
 Pfaffenstr. 21 Phone +49 7131 297 0
 74078 Hellbronn Fax +49 7131 297 166
 Germany Email dyniscoeurope@dynisco.com

Dynisco Shanghai
 Building 7A, No. 568 Phone +86 21 34074072-819
 Longpan Rd Malu Toll Free +86 400 728 9117
 Jiading, 201801 China Fax +86 21 34074025